

MORGAN COUNTY PARKS & RECREATION BOARD

77 Fairfax Street / Rm 101

Berkeley Springs, WV 25411

November 15, 2023

7:00PM

Open Meeting –

Review / Approve Agenda

Review/Approve Minutes

Review/Approve financials

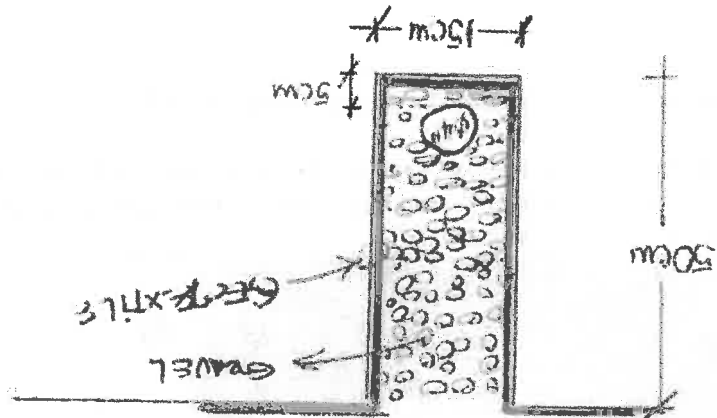
Public Comment:

Biser Street-

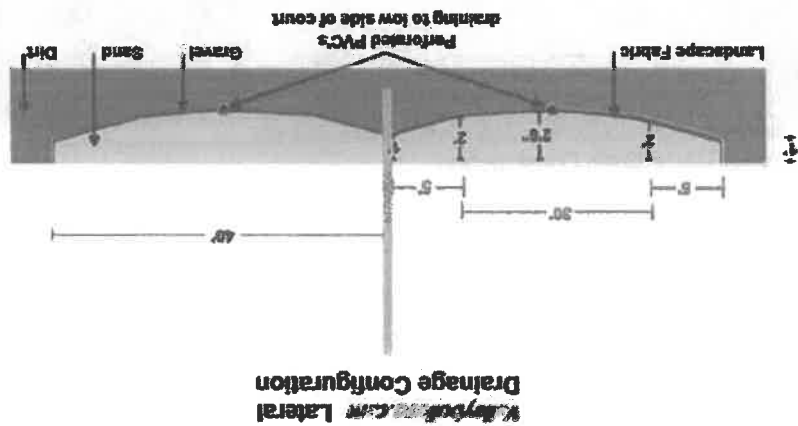
- Status update on return of Pickleball funds and transfer to P&R.
- Biser Street
 - Review for consideration of DRAFT RFP for Pickleball Court Establishment (attached)
 - Pursue Cacapon Institute C-Tree Application for trees to help alleviate standing water issues near beach volleyball court

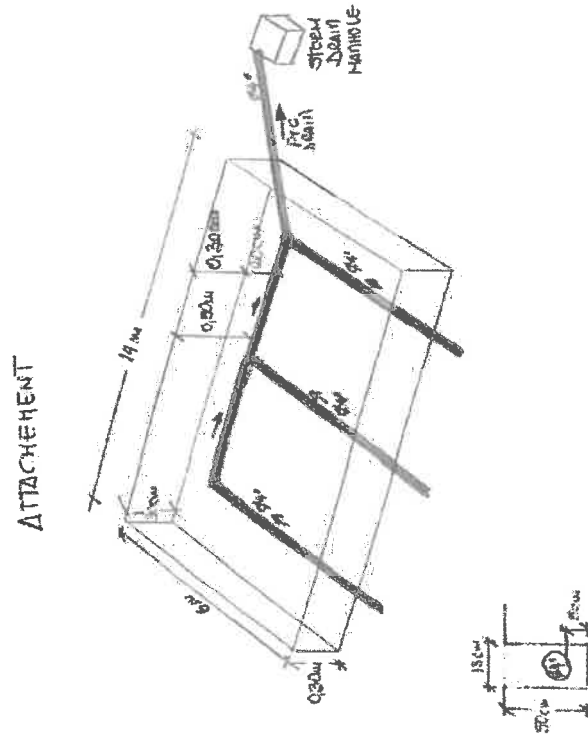


-
- Volleyball Underdrain Construction



TRENCH.





○

Spruce Pine Hollow

-

North Berkeley Park --

-

Little League --

- Little League Field Discussion

Soccer Fields --

- Soccer field tree planting report out
- Soccer field irrigation operational staffing commitment
- Pursue Seely Foundation 2024 Grant for irrigation system as presented during October 2023 P&R Meeting
- Weatherproof accessible shelter for AED device at Soccer Field

Other Items:

- Bidy Buddy
 - Sponsors

Adjournment

- Donated Bench- Placement

Director's Update

- Social Media Marketing strategy for Drop-In Sports (Pickleball, Basketball, Volleyball, etc)

Discussion of Future Projects:

Morgan County Parks & Recreation



77 Fairfax St. Rm 101 Berkeley Springs, WV 25411

Biddy Buddy Basketball Sponsor Opportunity

\$150.00/ Team

Helps us buy Jerseys, Trophies/Medals, and Equipment for the teams.

Market Research/Local Support

Each year we have about 150 participants

End of the season: Team picture with Sponsor's name

Team Picture to Sponsor

We appreciate your support

Please make checks payable to Morgan County Parks & Recreation
and return to address above by December 2nd.

Any questions please contact MCPR Director, Dawn Beal at 301-331-8400

